



Pontiac Coil

2110 Queensway Searcy, AR 72143

Phone 501-268-6877 Website: www.pontiaccoil.com

Model L-15 DC Solenoid Tubular, Pull Type

Pontiac Coil - Arkansas is an ISO 9001:2000 Certified Company

*Resistance values are $\pm 10\%$ at 25°C

Model Code	Part No.	Voltage	Duty Cycle	Power (W)	Resistance (Ω)*	Current (A)
L-15PL012D-C-2	F0491A	12VDC	Continuous	14	10.0	1.2
L-15PL012D-I-2	F0492A	12VDC	Intermittent	60	2.2	5.5
L-15PL024D-C-2	F0493A	24VDC	Continuous	14	41.0	0.6
L-15PL024D-I-2	F0494A	24VDC	Intermittent	60	10.0	2.4

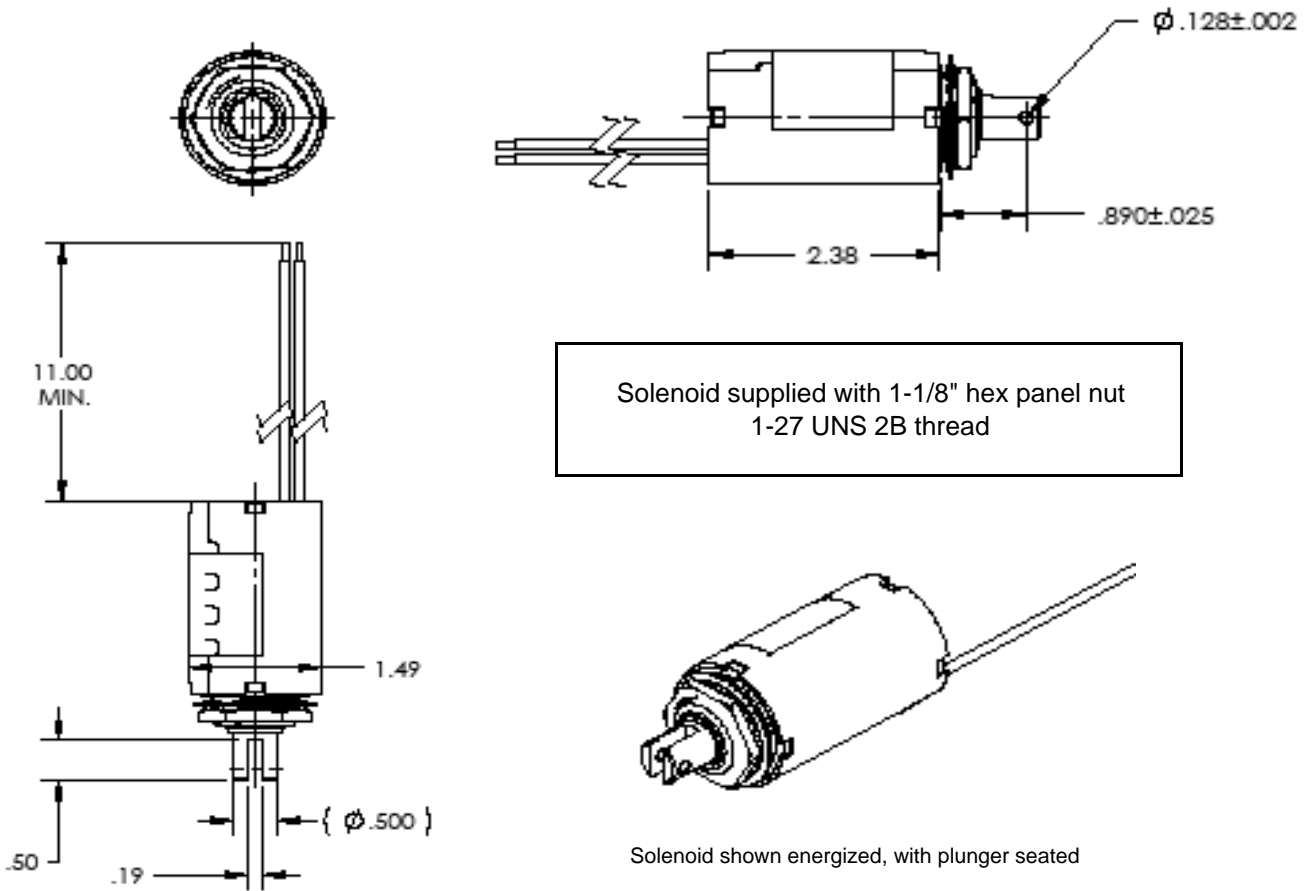
Definition of Duty Cycles:

Continuous = indefinite activation; **Intermittent** = 1 minute ON and 3 minutes OFF; **Pulse** = 100msec. ON and 900 msec. OFF

Special order options: 6 to 48Volts, DC only; push-type configuration. Consult factory for other modifications.

Stroke (in.):	Sealed	1/8	1/4	3/8	1/2	3/4	1	1-1/4
Cont. Duty force	200 oz.	128 oz.	64 oz.	38 oz.	24 oz.	13 oz.	5 oz.	3 oz.
Int. Duty force	245 oz.	184 oz.	138 oz.	110 oz.	80 oz.	48 oz.	28 oz.	16 oz.

Typical force values when operated at 100% rated voltage at 25°C. Derating required for lower voltage and higher temperature.



Insulation Materials: UL Construction, Class B 130°C

Copper magnet wire insulation rated 155°C (class F)

Voltage Breakdown Strength: 1500 VAC RMS Life Expectancy: 10 million operations